

# DIO5000

## DP/DM Dual SPDT Switch with 20V Overvoltage Protection

### Features

- Operating Voltage Range: 2.3V to 5.5V
- Differential 2:1 or 1:2 Switch/Multiplexer
- V<sub>CC</sub>=0V Powered Off Protection
- Low R<sub>ON</sub>: 5.5Ω
- BW: 1.5GHz
- C<sub>ON</sub>: 4.5pF
- Overvoltage Protection (OVP) on Common Pins up to 20V DC
- ESD (HBM): 4.5kV
- Temperature Range of -40°C to 85°C
- Package: QFN2\*1.5-10, DQFN1.8\*1.4-10 and DFN1.2\*1.6-8

### Descriptions

The DIO5000 is a high-speed USB2.0 low-power dual SPDT, analog switch with overvoltage protection. The device is configured as a dual 2:1 or 1:2 switch and is optimized for handling the USB2.0 D+/- lines in a USB Type-C system.

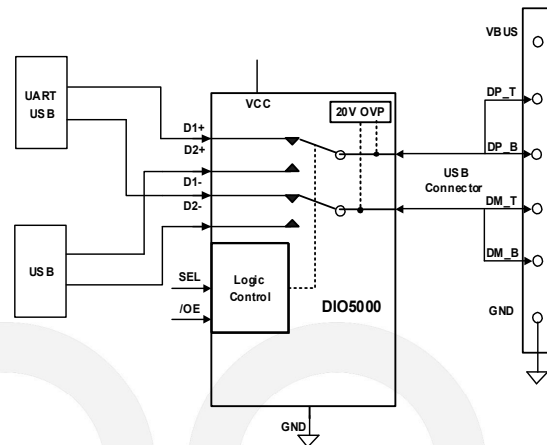
The DIO5000 protects the system components behind the switch with over voltage fault protection up to 20V.

The DIO5000 is available in QFN2\*1.5-10, DQFN1.8\*1.4-10 and DFN1.2\*1.6-8 packages, which make it a perfect solution for mobile applications.

### Applications

- Mobile
- PC/Notebook
- Tablet
- USB Type-C

### Simplified Schematic



### Ordering Information

Order Part Number	Top Marking		T <sub>A</sub>	Package	
DIO5000QN10	YW5C	Green	-40 to 85°C	QFN2*1.5-10	Tape & Reel,3000
DIO5000LP10	YW5C	Green	-40 to 85°C	DQFN1.8*1.4-10	Tape & Reel, 3000
DIO5000EN8	YW5C	Green	-40 to 85°C	DFN1.2*1.6-8	Tape & Reel, 5000

## Pin Assignments

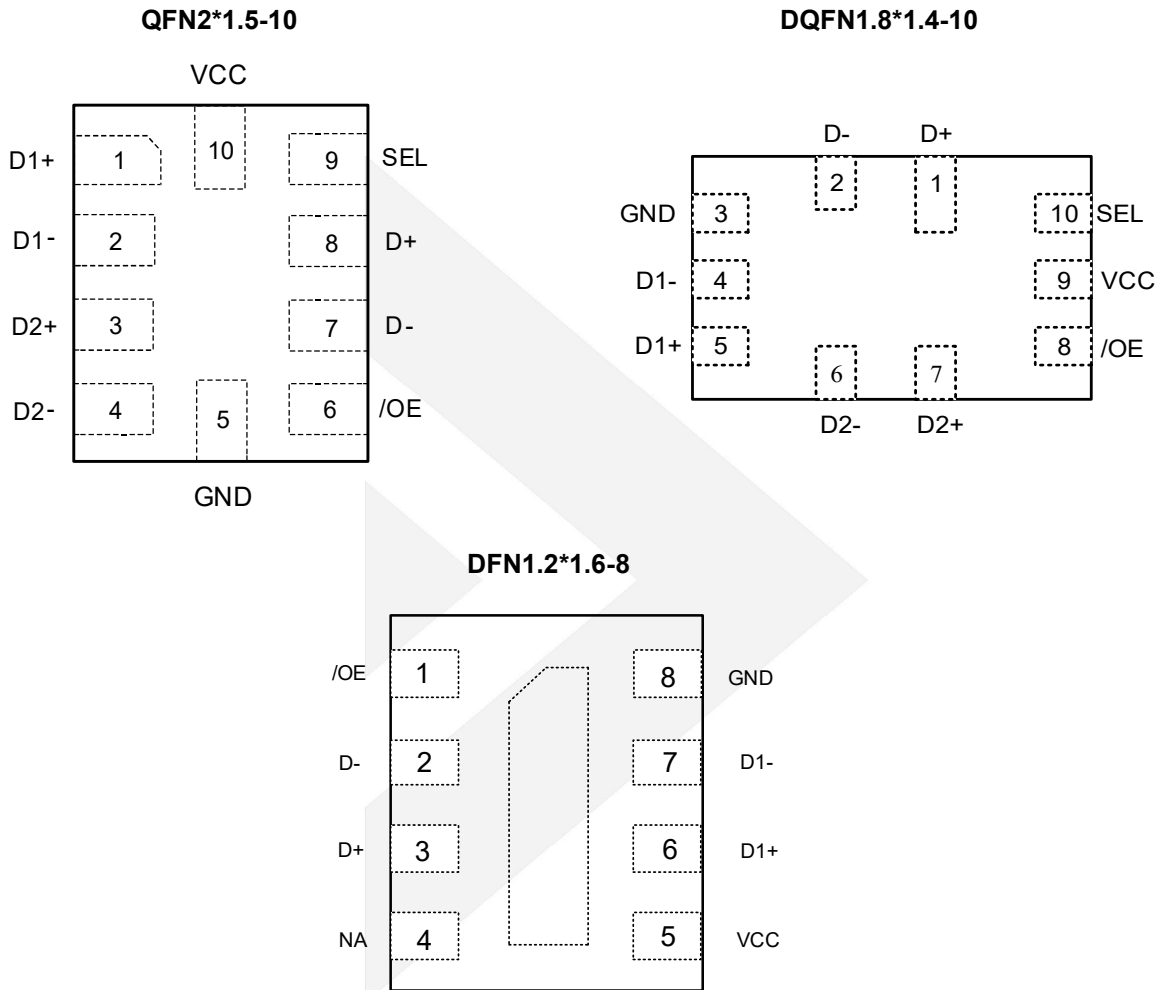


Figure 1. Top View

## Pin Description

Pin Name	Direction	Description
D1+	I/O	USB1 Data Link (Differential+)
D1-	I/O	USB1 Data Link (Differential-)
D2+	I/O	USB2 Data Link (Differential+)
D2-	I/O	USB2 Data Link (Differential-)
GND	-	Ground
/OE	I	Output Enable (Active Low)
D-	I/O	Switch Output (Differential-)
D+	I/O	Switch Output (Differential+)
SEL	I	Switch Select (LOW=D+/D- To D1+/D1-, HIGH=D+/D- To D2+/D2-)
VCC	-	Power Supply Pin



# DIO5000

DP/DW Dual SPDT Switch with 20V Overvoltage Protection

## Absolute Maximum Ratings

Stresses beyond those listed under "Absolute Maximum Rating" may cause permanent damage to the device. These are stress ratings only and functional operation of the device at these or any other condition beyond those indicated in the operational sections of the specifications is not implied. Exposure to absolute maximum rating conditions for extended periods may affect device reliability.

Symbol	Parameter	Min	Max	Unit
$V_{CC}$	Supply Voltage <sup>(1)</sup>	-0.5	6	V
$V_{I/O}$	Input /Output DC Voltage (D+,D-) <sup>(1)</sup>	-0.5	28	V
$V_{I/O}$	Input /Output DC Voltage (D1+/D1-, D2+/D2-) <sup>(1)</sup>	-0.5	6	V
$V_I$	Digital Input Voltage (SEL, /OE)	-0.5	6	V
$I_K$	Input-Output Port Diode Current (D+, D-, D1+, D1-, D2+, D2-) ( $V_{IN}<0$ )	-50		mA
$I_{IK}$	Digital Logic Input Clamp Current (SEL, /OE) <sup>(1)</sup> ( $V_I<0$ )	-50		mA
$I_{CC}$	Continuous Current Through VCC		100	mA
$I_{GND}$	Continuous Current Through GND	-100		mA
$T_{stg}$	Storage Temperature	-65	150	°C
ESD	Human body model (HBM)	-4500	4500	V

(1) All voltages are with respect to ground, unless otherwise specified.

## Recommended Operating Conditions

The Recommended Operating Conditions table defines the conditions for actual device operation. Recommended Operating conditions are specified to ensure optimal performance to the datasheet specifications. DIOO does not Recommend exceeding them or designing to Absolute Maximum Ratings.

Symbol	Parameter	Rating	Unit
$V_{CC}$	Supply Voltage	2.3 ~ 5.5	V
$V_{I/O (D+, D-)}$	Analog Input /Output Voltage	0 ~ 20	V
$V_{I/O (D1+, D1-, D2+, D2-)}$		0 ~ 3.6	V
$V_I$	Digital Input Voltage (SEL, /OE)	0 ~ 5.5	V
$I_{I/O (D+,D-,D1+,D1-,D2+,D2-)}$	Analog Input /Output Port Continuous Current	-50 ~ 50	mA
$I_{OL}$	Digital Output Current	3	mA
$T_A$	Operating Free-Air Temperature	-40 ~ 85	°C
$T_J$	Junction Temperature	-40 ~ 125	°C



# DIO5000

DP/DW Dual SPDT Switch with 20V Overvoltage Protection

## Electrical Characteristics

$T_A = -40^{\circ}\text{C}$  to  $85^{\circ}\text{C}$ ,  $V_{CC} = 2.3\text{V}$  to  $5.5\text{V}$ ,  $\text{GND} = 0\text{V}$ , Typical values are at  $V_{CC} = 3.3\text{V}$ ,  $T_A = 25^{\circ}\text{C}$ , (unless otherwise noted)

Symbol	Parameter	Test Conditions	Min	Typ	Max	Unit
<b>SUPPLY</b>						
$V_{CC}$	Power Supply Voltage		2.3		5.5	V
$I_{CC}$	Active Supply Current	$/OE = 0\text{V}$ , SEL = $0\text{V}$ , $1.8\text{V}$ or $V_{CC}$ $V_{CC} \leq 4.4\text{V}$ , $0\text{V} < V_{I/O} < 3.6\text{V}$		25	35	$\mu\text{A}$
	Supply Current During OVP Condition	$/OE = 0\text{V}$ , SEL = $0\text{V}$ , $1.8\text{V}$ or $V_{CC}$ $V_{CC} \leq 4.4\text{V}$ , $V_{I/O} > V_{OVP\_TH}$		25	35	$\mu\text{A}$
$I_{CC\_PD}$	Standby Powered Down Supply Current	$/OE = 1.8\text{V}$ or $V_{CC}$ , SEL = $0\text{V}$ , $1.8\text{V}$ , or $V_{CC}$		1.5	10	$\mu\text{A}$
<b>DC Characteristics</b>						
$R_{ON}$	ON-State Resistance	$V_{I/O} = 0.4\text{V}$ , $I_{SINK} = 8\text{mA}$ Refer to ON-State Resistance Figure		5.5	9	$\Omega$
$\Delta R_{ON}$	ON-State Resistance Match Between Channels	$V_{I/O} = 0.4\text{V}$ , $I_{SINK} = 8\text{mA}$ Refer to ON-State Resistance Figure			0.3	$\Omega$
$R_{ON (FLAT)}$	ON-State Resistance Match Flatness	$V_{I/O} = 0\text{V}$ to $0.4\text{V}$ , $I_{SINK} = 8\text{mA}$ Refer to ON-State Resistance Figure		0.1	0.4	$\Omega$
$I_{OFF}$	I/O Pin OFF Leakage Current	$V_{D\pm} = 0\text{V}$ or $3.6\text{V}$ , $V_{CC} = 2.3\text{V}$ to $5.5\text{V}$ $V_{D1\pm}$ or $V_{D2\pm} = 3.6\text{V}$ or $0\text{V}$ , Refer to OFF Leakage Figure	-1	0.5	2	$\mu\text{A}$
		$V_{D\pm} = 0\text{V}$ or $20\text{V}$ , $V_{CC} = 2.3\text{V}$ to $5.5\text{V}$ $V_{D1\pm}$ or $V_{D2\pm} = 0\text{V}$ , Refer to OFF Leakage Figure	-1	149	200	$\mu\text{A}$
$I_{ON}$	ON Leakage Current	$V_{D\pm} = 0\text{V}$ or $3.6\text{V}$ , $V_{D1\pm}$ and $V_{D2\pm} = \text{High-Z}$ Refer to ON Leakage Figure	-1	0.5	2	$\mu\text{A}$
$Z_{ON}$	ON State Impedance to GND		5	8		$\text{M}\Omega$
<b>Digital Characteristics</b>						
$V_{IH}$	Input Logic High	SEL, /OE	1.4			V
$V_{IL}$	Input Logic Low	SEL, /OE			0.5	V
$I_{IH}$	Input High Leakage Current	SEL, /OE = $1.8\text{V}$ , $V_{CC}$	-1	0.5	5	$\mu\text{A}$
$I_{IL}$	Input Low Leakage Current	SEL, /OE = $0\text{V}$	-1	0	5	$\mu\text{A}$
$R_{PD}$	Internal Pull-Down Resistor On Digital Input Pins			6		$\text{M}\Omega$



# DIO5000

DP/DN Dual SPDT Switch with 20V Overvoltage Protection

$C_i$	Digital Input Capacitance	SEL=0V, 1.8V or VCC, f=1MHz		3.4		pF
<b>Protection</b>						
$V_{OVP\_TH}$	OVP Positive Threshold		4.8	5.1	5.4	V
$V_{OVP\_HYST}$	OVP Threshold Hysteresis		75	230	425	mV
$V_{CLAMP\_V}$	Maximum Voltage To Appear On D1± And D2± Pins During OVP Scenario	$V_{D\pm}=0$ to 16V $t_{RISE}$ and $t_{FALL}(10\% \text{ to } 90\%)=100\text{ns}$ $R_L=Open$ , Switch ON or OFF /OE=0V	0		9	V
		$V_{D\pm}=0$ to 16V $t_{RISE}$ and $t_{FALL}(10\% \text{ to } 90\%)=100\text{ns}$ $R_L=50\Omega$ , Switch ON or OFF /OE=0V	0		9	V





# DIO5000

DP/DW Dual SPDT Switch with 20V Overvoltage Protection

## Dynamic Characteristics

$T_A = -40^{\circ}\text{C}$  to  $85^{\circ}\text{C}$ ,  $V_{CC} = 2.3\text{V}$  to  $5.5\text{V}$ ,  $\text{GND} = 0\text{V}$ , Typical values are at  $V_{CC} = 3.3\text{V}$ ,  $T_A = 25^{\circ}\text{C}$ , (unless otherwise noted)

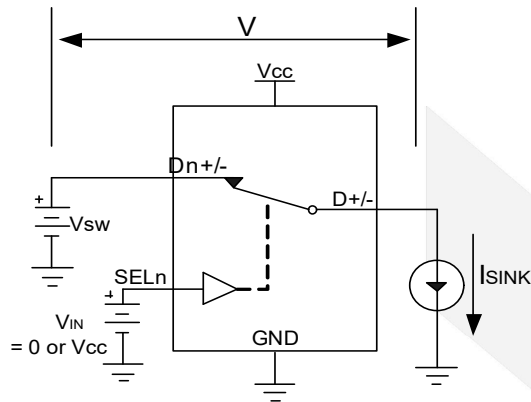
Symbol	Parameter	Test Conditions	Min	Typ	Max	Unit
$C_{OFF}$	D+, D- OFF Capacitance	$V_{D+/-} = 0$ or $3.3\text{V}$ , $/OE = V_{CC}$ $f = 240\text{MHz}$ , Switch OFF	1.2	3.5	6.2	pF
$C_{ON}$	IO Pins ON Capacitance	$V_{D+/-} = 0$ or $3.3\text{V}$ , $f = 240\text{MHz}$ Switch ON	1.4	4.5	6.2	pF
$O_{ISO}$	OFF Isolation	$R_L = 50\Omega$ , $C_L = 5\text{pF}$ , $f = 100\text{kHz}$ Refer to OFF Isolation Figure Switch OFF		-30		dB
$X_{TALK}$	Crosstalk	$R_L = 50\Omega$ , $C_L = 5\text{pF}$ , $f = 100\text{kHz}$ Refer to Crosstalk Figure Switch ON		-90		dB
BW	Bandwidth	$R_L = 50\Omega$ Refer to BW and Insertion Loss Figure Switch ON		1.5		GHz

## Timing Requirements

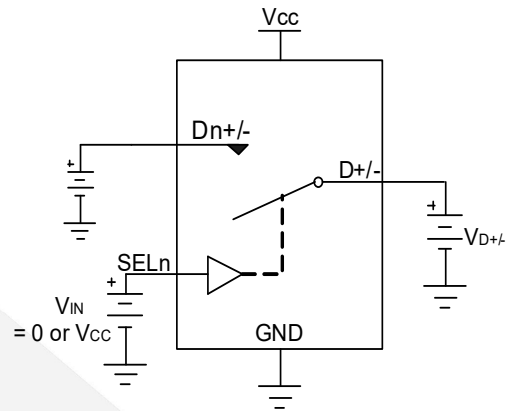
$T_A = -40^{\circ}\text{C}$  to  $85^{\circ}\text{C}$ ,  $V_{CC} = 2.3\text{V}$  to  $5.5\text{V}$ ,  $\text{GND} = 0\text{V}$ , Typical values are at  $V_{CC} = 3.3\text{V}$ ,  $T_A = 25^{\circ}\text{C}$ , (unless otherwise noted)

Symbol	Parameter	Test Conditions	Min	Typ	Max	Unit
$t_{switch}$	Switching Time Between Channels (SEL To Output)	$V_{D+/-} = 0.8\text{V}$ Refer to $t_{switch}$ Timing Figure		0.6		$\mu\text{s}$
$t_{ON}$	Device Turn ON Time (/OE To Output)	$V_{D+/-} = 0.8\text{V}$ Refer to $T_{ON}$ and $T_{OFF}$ Figure		130		$\mu\text{s}$
$t_{OFF}$	Device Turn OFF Time (/OE To Output)	$V_{D+/-} = 0.8\text{V}$ Refer to $T_{ON}$ and $T_{OFF}$ Figure		0.05		$\mu\text{s}$

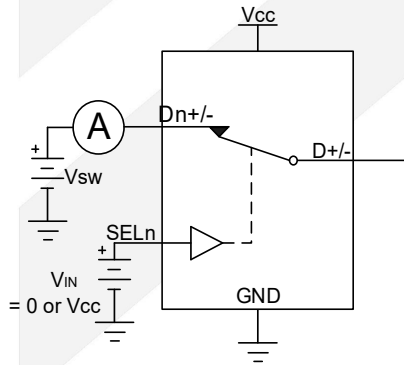
Application Information



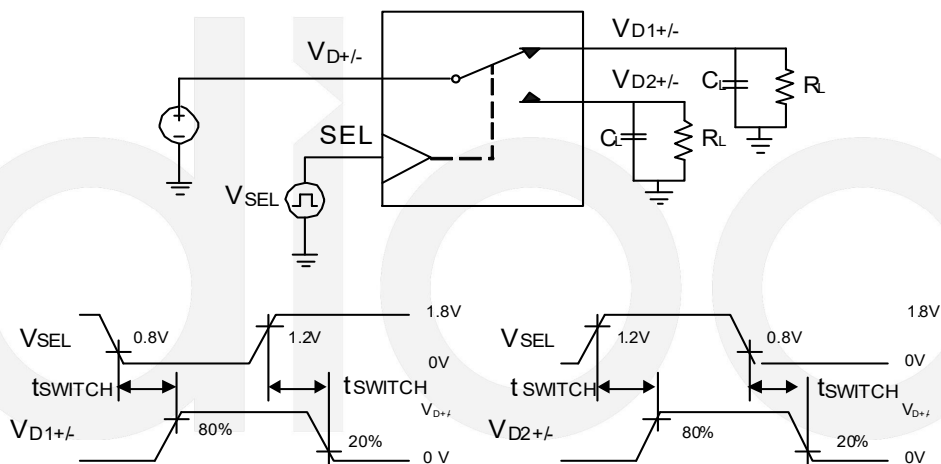
Channel ON,  $R_{ON} = V/I_{SINK}$   
**Figure 2. ON-State Resistance ( $R_{ON}$ )**



**Figure 3. OFF Leakage**

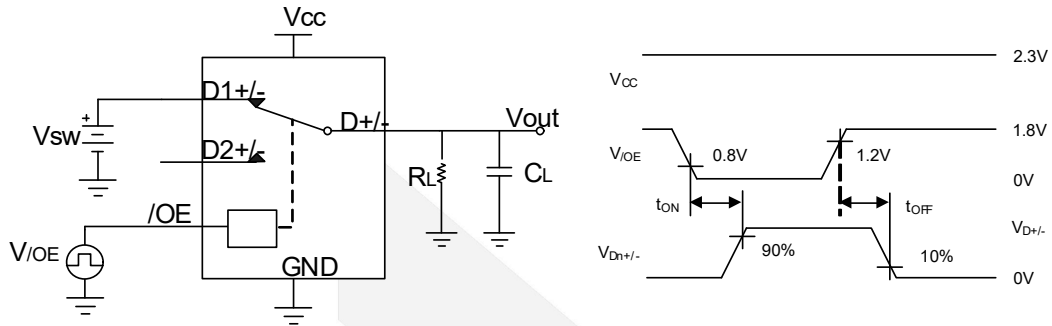


**Figure 4. ON Leakage**



- (1) All input pulses are supplied by generators having the following characteristics:  $PRR \leq 10\text{MHz}$ ,  $Z_0 = 50\Omega$ ,  $t_r < 500\text{ps}$ ,  $t_f < 500\text{ps}$ .
- (2)  $C_L$  includes probe and jig capacitance.

**Figure 5.  $t_{SWITCH}$  Timing**



- (1) All input pulses are supplied by generators having the following characteristics:  $PRR \leq 10\text{MHz}$ ,  $Z_0 = 50\Omega$ ,  $t_r < 500\text{ps}$ ,  $t_f < 500\text{ps}$ .
- (2)  $C_L$  includes probe and jig capacitance.

Figure 6.  $t_{ON}$ ,  $t_{OFF}$  for /OE

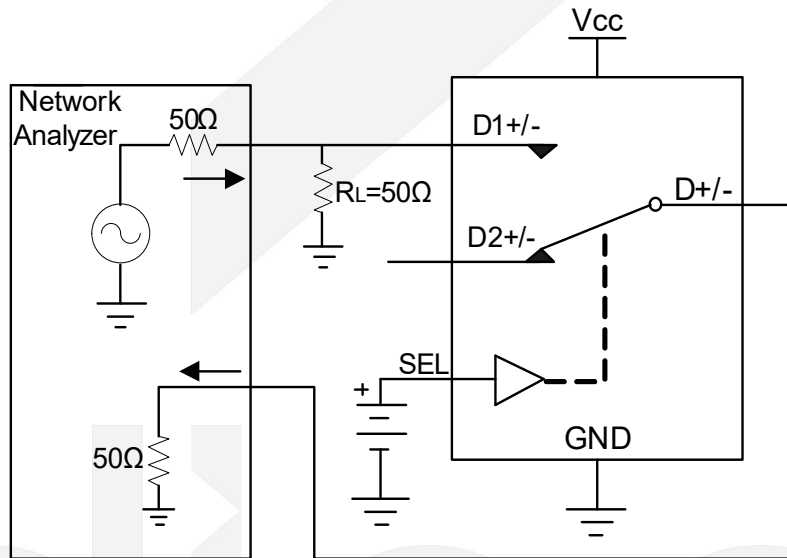


Figure 7. OFF Isolation



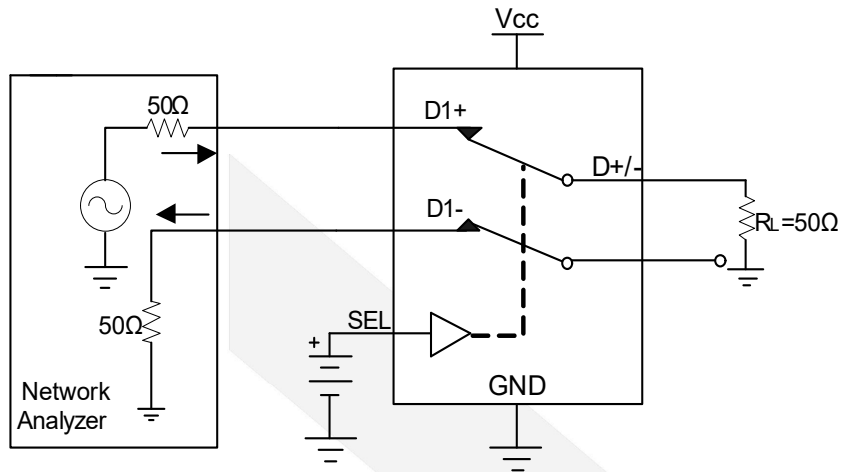


Figure 8. Cross Talk

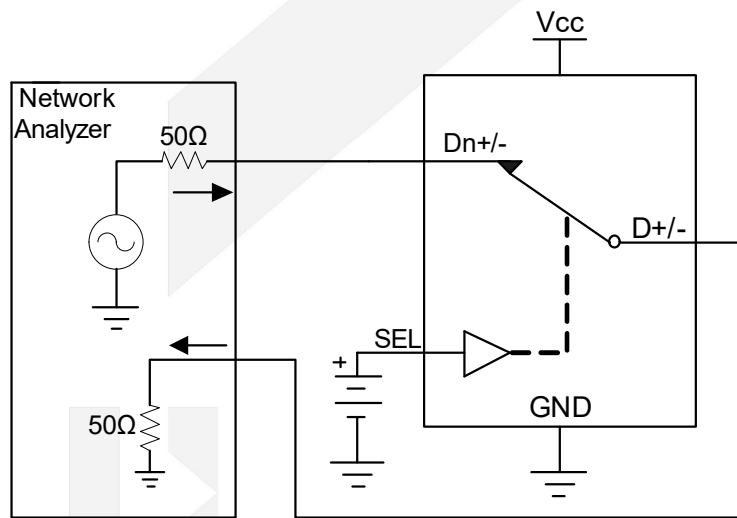
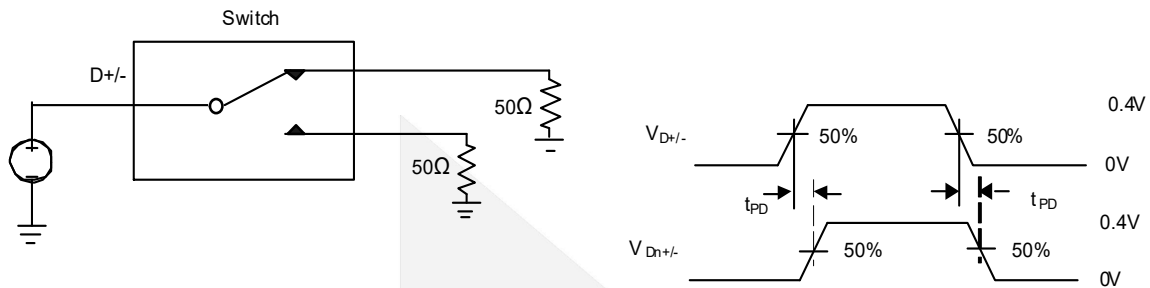
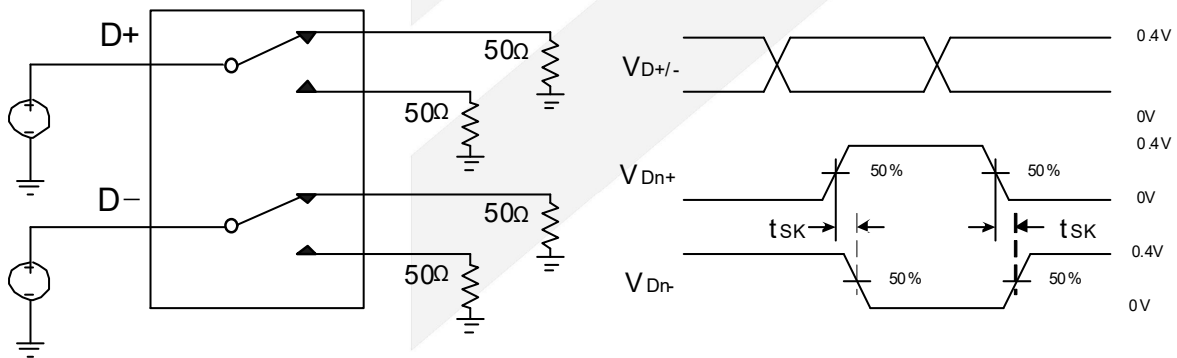


Figure 9. BW and Insertion Loss



- (1) All input pulses are supplied by generators having the following characteristics:  $PRR \leq 10\text{MHz}$ ,  $Z_0 = 50\Omega$ ,  $t_r < 500\text{ps}$ ,  $t_f < 500\text{ps}$ .
- (2)  $C_L$  includes probe and jig capacitance.

Figure 10.  $t_{PD}$



- (1) All input pulses are supplied by generators having the following characteristics:  $PRR \leq 10\text{MHz}$ ,  $Z_0 = 50\Omega$ ,  $t_r < 500\text{ps}$ ,  $t_f < 500\text{ps}$ .
- (2)  $C_L$  includes probe and jig capacitance.

Figure 11.  $t_{SK}$

### Detailed Description

#### Overview

The DIO5000 is a bidirectional low-power dual port, high-speed, USB2.0 analog switch with integrated protection for USB Type-C systems. The device is configured as a dual 2:1 or 1:2 switch and is optimized for handling the USB2.0 D+/- lines in a USB Type-C system as shown in Figure 12.

A1	A2	A3	A4	A5	A6	A7	A8	A9	A10	A11	A12
GND	TX1+	TX1-	+V	CC1	D+	D-	SBU1	+V	RX2-	RX2+	GND
GND	RX1+	RX1-	+V	SBU2	D-	D+	CC2	+V	TX2-	TX2+	GND
B12	B11	B10	B9	B8	B7	B6	B5	B4	B3	B2	B1

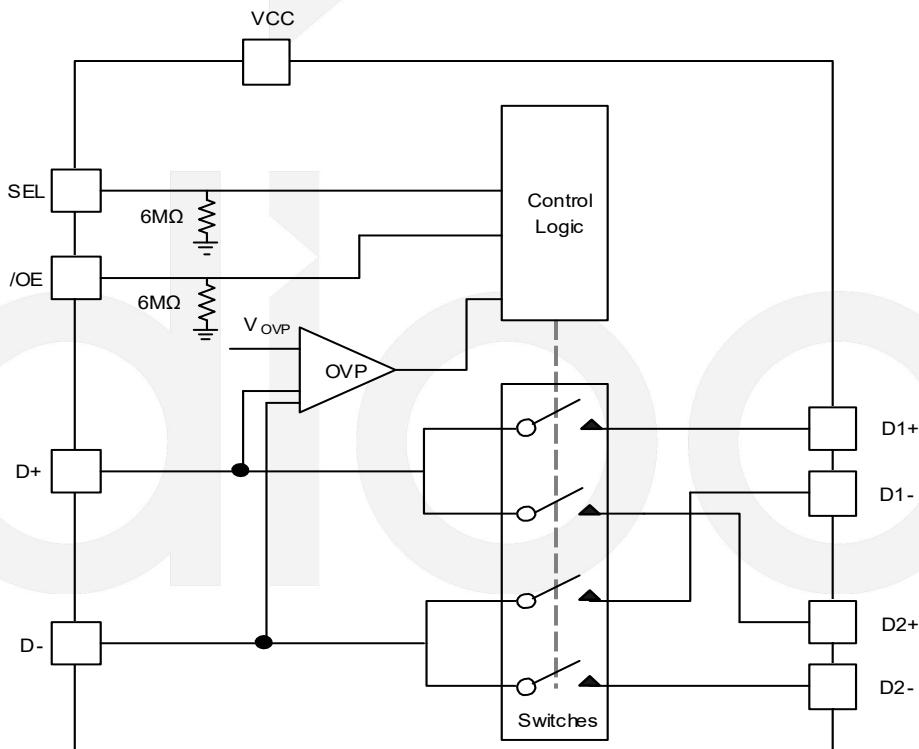
  

<span style="display: inline-block; width: 15px; height: 10px; background-color: #ADD8E6; border: 1px solid black;"></span> USB3.1 Super speed+ 10Gbps	<span style="display: inline-block; width: 15px; height: 10px; background-color: #FFA500; border: 1px solid black;"></span> Secondary Bus
<span style="display: inline-block; width: 15px; height: 10px; background-color: #800080; border: 1px solid black;"></span> USB2.0 High speed 480Mbps	<span style="display: inline-block; width: 15px; height: 10px; background-color: #FFFF00; border: 1px solid black;"></span> USB Power Delivery Communication

**Figure 12. USB Type-C Connector Pinout**

The DIO5000 also works in traditional USB systems that need protection from fault conditions such as automotive and applications that require higher voltage charging. The device maintains excellent signal integrity through the optimization of both RON and BW while protecting the system with 0V to 20V OVP protection. The OVP implementation is designed to protect sensitive system components behind the switch that cannot survive a fault condition where VBUS is shorted the D+ and D- pins on the connector.

#### Functional Block Diagram



## Feature Description

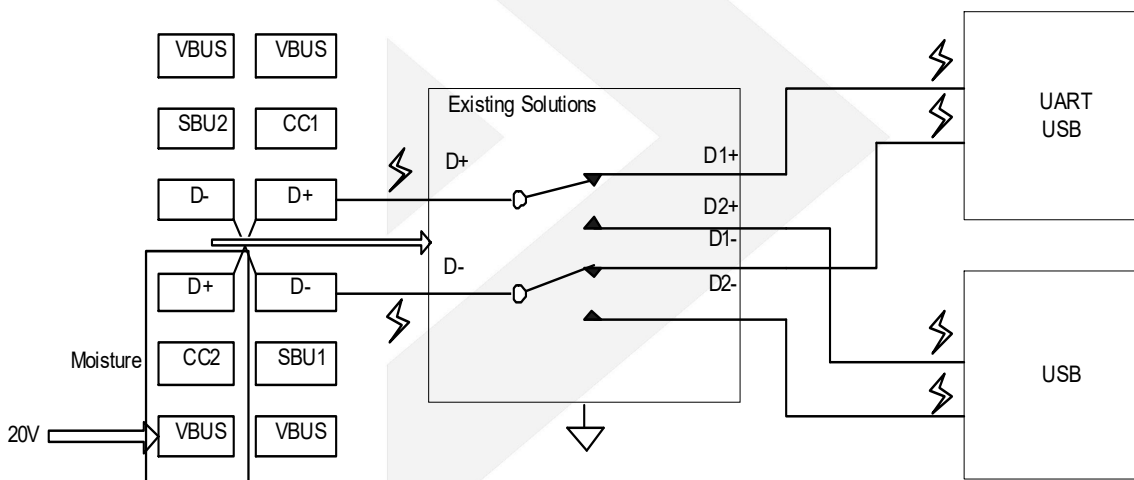
### Powered-off Protection

When the DIO5000 is powered off the I/Os of the device remain in a high-Z state. The crosstalk, off-isolation, and leakage remain within the Electrical Specifications.

This prevents errant voltages from reaching the rest of the system and maintains isolation when the system is powering up.

### Overvoltage Protection

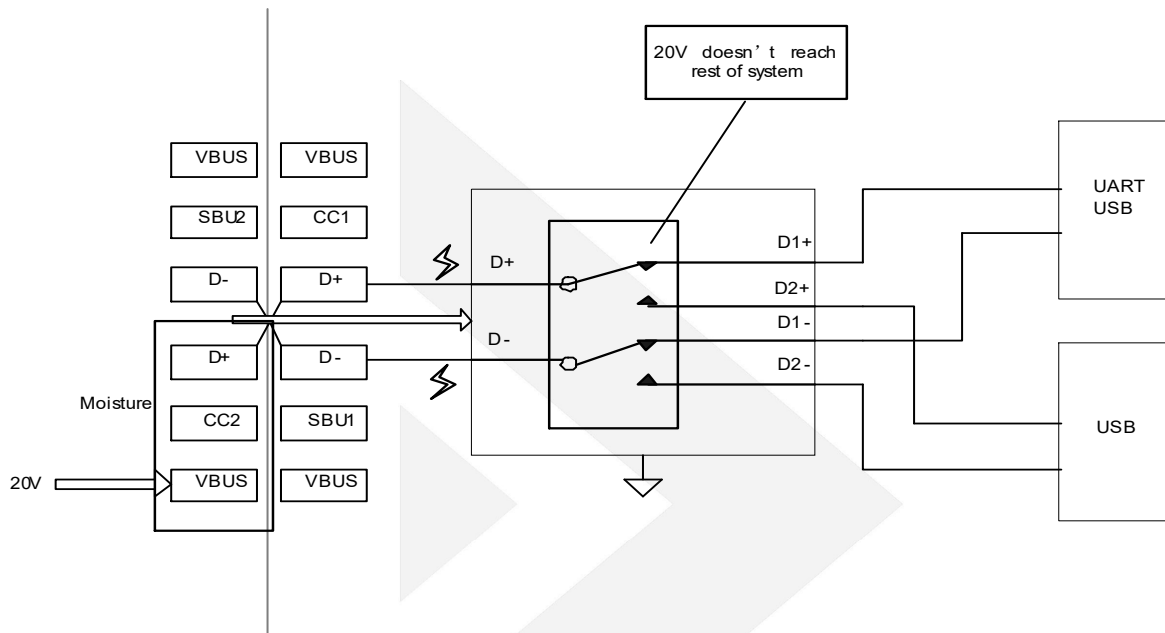
The OVP of the DIO5000 is designed to protect the system from D+/- shorts to VBUS at the USB and USB Type-C connector. Figure 13 depicts a moisture short that would cause 20V to appear on an existing USB solution that could pass through the device and damage components behind the device.



**Figure 13. Existing Solution Being Damaged by a Short, 20V**

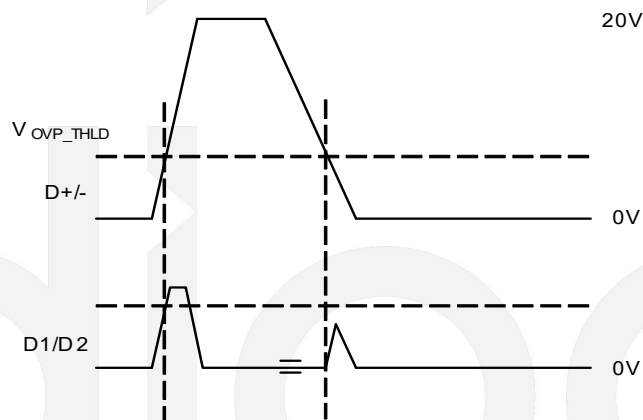


The DIO5000 will open the switches and protect the rest of the system by blocking the 20V as depicted in Figure 14.



**Figure 14. Protecting During a 20V Short**

Figure 15 is a waveform showing the voltage on the pins during an over-voltage scenario.



**Figure 15. Overvoltage Protection Waveform, 20V**



## DIO5000

### Device Functional Modes

#### Pin Functions

Table 1. Function Table

/OE	SEL	D- Connection	D+ Connection
H	X	High-Z	High-Z
L	L	D- to D1-	D+ to D1+
L	H	D- to D2-	D+ to D2+

## Application and Implementation

### Application Information

There are many USB applications in which the USB hubs or controllers have a limited number of USB I/Os or need to route signals from a single USB connector. The DIO5000 solution can effectively expand the limited USB I/Os by switching between multiple USB buses to interface them to a single USB hub or controller or route signals from one connector to two different locations.

### Typical Application

DIO5000 USB/UART switch. The DIO5000 is used to switch signals between the USB path, which goes to the baseband or application processor, or the UART path, which goes to debug port. The DIO5000 has internal 6M $\Omega$  pull-down resistors on SEL and /OE. The pull-down on SEL ensure the D1+/D1- channel is selected by default. The pull-down on /OE enables the switch when power is applied.

DP/DM Dual SPDT Switch with 20V Overvoltage Protection



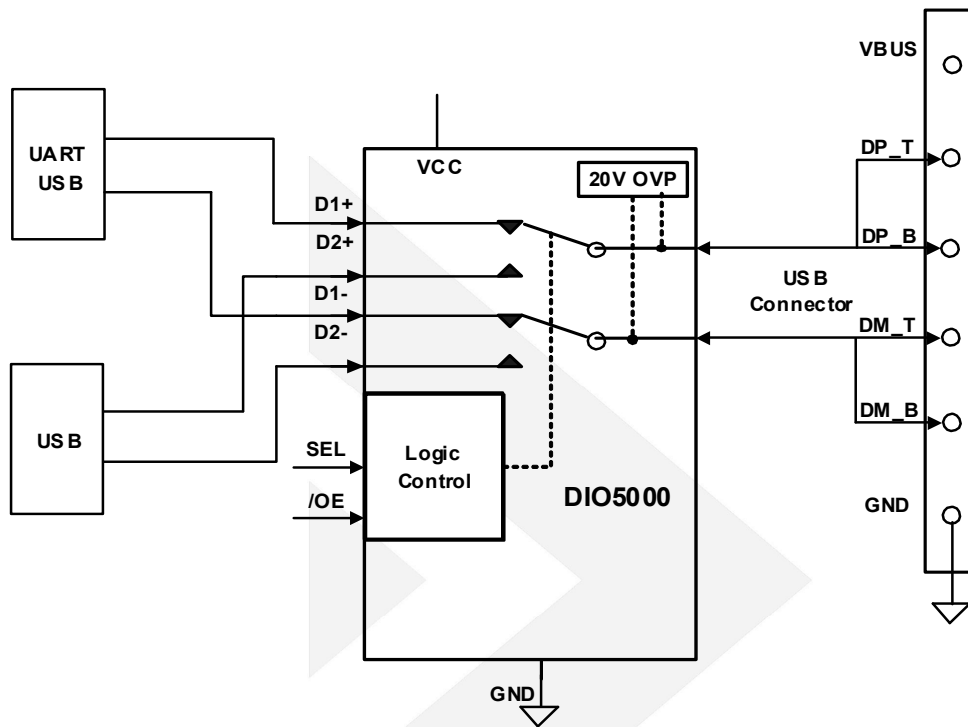


Figure 16. Typical DIO5000 Application

## Design Requirements

Design requirements of USB1.0, 1.1, and 2.0 standards must be followed. The DIO5000 has internal 6M $\Omega$  pulldown resistors on SEL and /OE, so no external resistors are required on the logic pins. The internal pull-down resistor on SEL ensures the D1+ and D1- channels are selected by default. The internal pull-down resistor on /OE enables the switch when power is applied to VCC.

## Detailed Design Procedure

The DIO5000 can be properly operated without any external components. However, DIOO recommends that unused pins must be connected to ground through a 50 $\Omega$  resistor to prevent signal reflections back into the device. DIOO does recommend a 100nF bypass capacitor placed close to DIO5000 VCC pin.

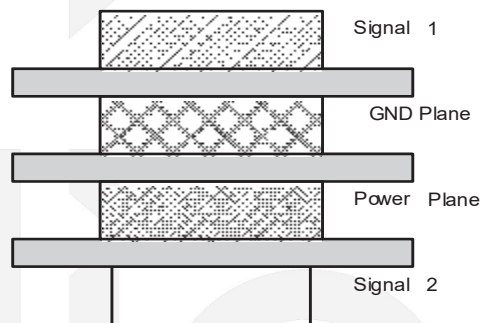
## Power Supply Recommendations

Power to the device is supplied through the VCC pin and must follow the USB1.0, 1.1, and 2.0 standards. DIOO recommends placing a 100nF bypass capacitor as close to the supply pin VCC as possible to help smooth out lower frequency noise to provide better load regulation across the frequency spectrum.

## Layout

### Layout Guidelines

1. Place supply bypass capacitors as close to VCC pin as possible and avoid placing the bypass caps near the D± traces.
2. The high-speed D± must match and be no more than 4 inches long; otherwise, the eye diagram performance may be degraded. A high-speed USB connection is made through a shielded, twisted pair cable with a differential characteristic impedance. In layout, the impedance of D+ and D- traces must match the cable characteristic differential impedance for optimal performance.
3. Route the high-speed USB signals using a minimum of vias and corners which reduces signal reflections and impedance changes. When a via must be used, increase the clearance size around it to minimize its capacitance. Each via introduces discontinuities in the signal's transmission line and increases the chance of picking up interference from the other layers of the board. Be careful when designing test points on twisted pair lines; through-hole pins are not recommended.
4. When it becomes necessary to turn 90°, use two 45° turns or an arc instead of making a single 90° turn. This reduces reflections on the signal traces by minimizing impedance discontinuities.
5. Do not route USB traces under or near crystals, oscillators, clock signal generators, switching regulators, mounting holes, magnetic devices or ICs that use or duplicate clock signals.
6. Avoid stubs on the high-speed USB signals because they cause signal reflections. If a stub is unavoidable, then the stub must be less than 200mm.
7. Route all high-speed USB signal traces over continuous GND planes, with no interruptions.
8. Avoid crossing over anti-etch, commonly found with plane splits.
9. Due to high frequencies associated with the USB, a printed circuit board with at least four layers is recommended; two signal layers separated by a ground and power layer as shown in Figure 17.



**Figure 17. Four-Layer Board Stack-Up**

The majority of signal traces must run on a single layer, preferably Signal 1. Immediately next to this layer must be the GND plane, which is solid with no cuts. Avoid running signal traces across a split in the ground or power plane. When running across split planes is unavoidable, sufficient decoupling must be used. Minimizing the number of signal vias reduces EMI by reducing inductance at high frequencies.





## DIO5000

DP/DM Dual SPDT Switch with 20V Overvoltage Protection

### CONTACT US

Dioo is a professional design and sales corporation for high-quality and performance analog semiconductors. The company focuses on industry markets, such as, cell phone, handheld products, laptop, and medical equipment and so on. Dioo's product families include analog signal processing and amplifying, LED drivers and charger IC. Go to <http://www.dioo.com> for a complete list of Dioo product families.

For additional product information, or full datasheet, please contact with our Sales Department or Representatives.

dioo